

Current part is item (71) on diagram. Available at [www.oshkoshequipment.com](http://www.oshkoshequipment.com)

(1) SMR Code	(2) Federal Stock Number	DESCRIPTION	UNIT of meas	Qty inc. in Unit	30-day DS maint allowance			30-day GS maint allowance			1-yr aw per 100 equip cnt- gcy	Depot maint aw per 100 equip	Illustration	
					(a) 1-20	(b) 21-50	(c) 51-100	(a) 1-20	(b) 21-50	(c) 51-100			(a) Figure No.	(b) Item No.
		Reference Number & Mfr. Code												
PAOZZ	4730-912-9116	ADAPTER, STRAIGHT, FLANGED: OIL INLET 10951280 (19207)	EA	1	*	*	*	*	*	*	*	*	22	6
PAOZZ	2990-089-2122	GASKET SET: TURBOCHARGER MTG 5702704 (19207)	EA	1	*	*	*	*	*	*	*	*	22	7
PAOZZ	2990-856-2905	COMPOSED OF: GASKET: ADAPTER MTG 7383446 (19207)	EA	1	*	*	*	*	*	*	*	*	22	7*1
KFFZZ		1-GASKET: TURBOCHARGER MTG 11641832 (19207)											22	7*2
PAOZZ	2990-856-2906	GASKET: OIL OUTLET MTG 7748858 (19207)	EA	1	*	*	*	*	*	*	*	*	22	7*3
PAFZZ	5330-899-4481	GASKET: EXHAUST ELBOW, INNER 10889768 (19207)	EA	1	*	*	*	*	*	*	*	*	22	7*4
PAFZZ	5330-899-4482	GASKET: EXHAUST ELBOW, OUTER 10889769 (19207)	EA	1	*	*	*	*	*	*	*	*	22	7*5
PAFHH	2990-967-9909	T U R B O C H A R G E R : C O M P R E S S I O N RECIPROCATING ENGINE (REFER TO TM9-2990- 201-45 FOR COMPONENT PARTS) 10912638 (19207)	EA	1	*	*	*	*	*	*	*	*	22	8
PAOZZ	2990-066-2550	TUBE ASSEMBLY, METAL: OIL DRAIN 10935280 (19207)	EA	1	*	*	*	*	*	*	*	*	22	9
PAOZZ	4730-278-2068	CLAMP, HOSE: OIL DRAIN 7057806 (19207)	EA	2	*	*	*	*	*	*	*	*	22	10
MOOZZ		HOSE, NONMETALLIC: TUBE TO ADAPTER MANUFACTURE FROM:	EA	1									22	11
PAOZZ	4720-278-1113	HOSE, NONMETALLIC: (4 IN. REQUIRED) MIL- H-6000 (81349)	FT	V	SEE GROUP 9501								22	11
PAOZZ	4730-494-3268	COUPLING, HOSE: OIL DRAIN 90 (01292)	EA	1	*	*	*	*	*	*	*	*	22	12
PAFZZ	5310-791-9525	NUT, SELF-LOCKING, HEXAGON: TURBOCHARGER MTG 11641656 (19207)	EA	4	*	*	*	*	*	*	*	*	22	13
PAFZZ	2990-860-2335	ELBOW, EXHAUST: TURBOCHARGER 7748883 (19207)	EA	1	*	*	*	*	*	*	*	*	22	14
PAFZZ	2815-228-8023	SUPPORT, EXHAUST ELBOW: 10889778 (19207)	EA	1	*	*	*	*	*	*	*	*	22	15
PAFZZ	5305-958-5246	SCREW, MACHINE: ELBOW TO SUPPORT MTG MS35190-289 (96906)	EA	3	*	*	*	*	*	*	*	*	22	16
PAFZZ	5310-595-4675	WASHER, LOCK: SUPPORT TO CRANKCASE MTG MS35340-46 (96906)	EA	3	*	*	*	*	*	*	*	*	22	17
PAFZZ	5305-269-3209	SCREW, CAP, HEXAGON HEAD: SUPPORT TO CRANKCASE MTG MS90725-58 (96906)	EA	3	*	*	*	*	*	*	*	*	22	18
PAFZZ	5310-682-5930	WASHER, LOCK: ELBOW TO SUPPORT MTG MS35340-44 (96906)	EA	3	*	*	*	*	*	*	*	*	22	19
PAFZZ	5310-761-6882	NUT, PLAIN, HEXAGON: ELBOW TO SUPPORT MTG MS51967-2 (96906)	EA	3	*	*	*	*	*	*	*	*	22	20



Current part is item (71) on diagram. Available at [www.oshkoshequipment.com](http://www.oshkoshequipment.com)

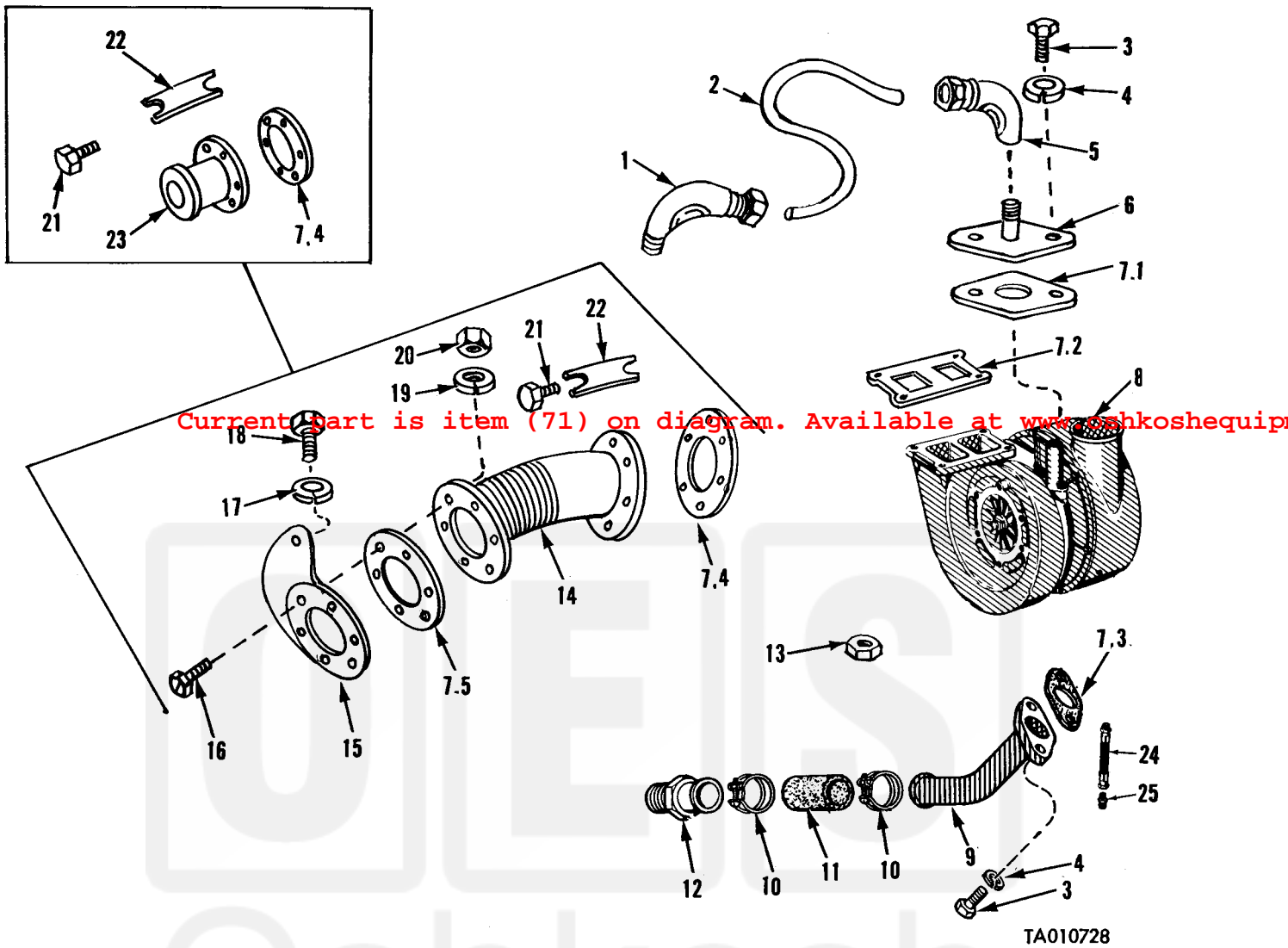


Figure 22. Turbocharger and Associated Parts.